

**Instruction Manual for
18809/18810/18812/18813/18815 N120
180/140/230/250mm Optical Glass Wide
Angle Port**

(This manual applies to product shipped from early 2022, 18809 serial number from A512606 onwards; 18810 from A490446 onwards; 18812 from A522451 onwards, 18813/18815 coming soon)

FOREWORD

Thank you for your purchase of a NAUTICAM product.

At NAUTICAM, we pride ourselves in the ability to recognise the requirements of professional as well as amateur underwater photographers and fulfill them through the innovative designs of our products. We strive to achieve a high level of user-friendliness by allowing stress-free installation and easy operation of all important functions of the camera.

Each product is individually inspected and water pressure tested to ensure optimum quality.

Please read this manual carefully before using the product, this will maximise its performance as well as its lifetime.

WARRANTY

All NAUTICAM Products are warranted against any material and manufacturing defects for two years from the date of purchase for consumer use. This warranty only applies to products purchased from authorised NAUTICAM dealers and does not extend beyond the original retail purchaser.

To return your product for service, please contact your regional authorized service centre(s). Please note that this warranty only applies when the product is purchased in the territory where the service centre is located.

NAUTICAM does not hold responsibility for damage, of any nature, to any equipment used with and/or placed within our products.

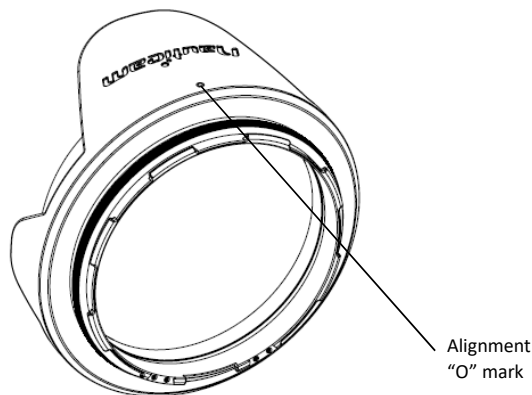
NAUTICAM accepts no liability for any loss of captured images or the inability to capture images even if it is due to the malfunctioning of our products.

Unauthorised modifications and/or repairs of our products will automatically invalidate the warranty.

PACKAGE CONTENTS

- N120 180/140/230/250mm optical glass wide angle port
- Neoprene cover
- Rear cap
- Carrying bag
- Spare O-ring

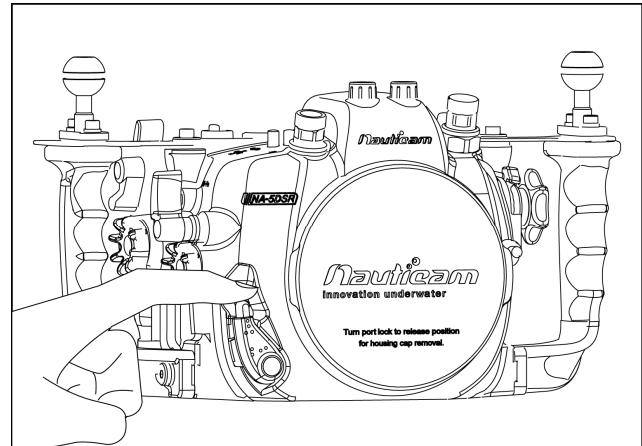
IDENTIFICATION OF PARTS



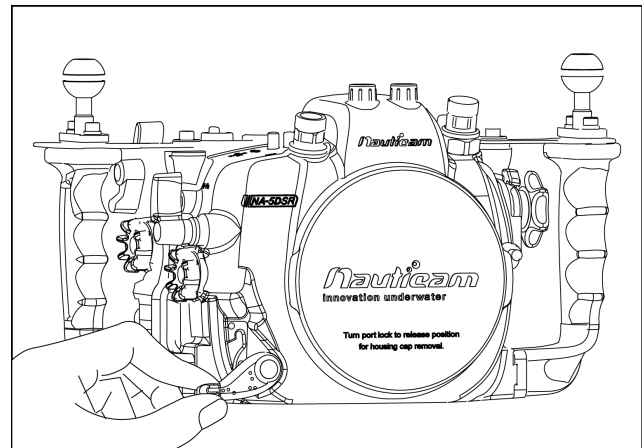
#18810 N120 140mm Optical Glass Dome Port is used as an example in this instruction manual, other dome ports will be slightly different in term of appearance.

MOUNT A PORT TO A HOUSING

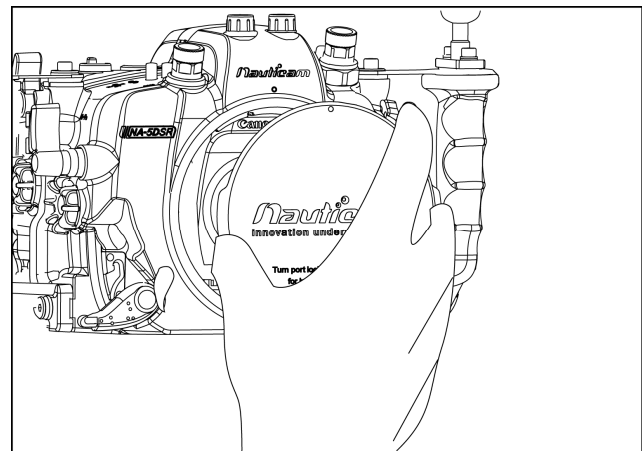
To remove housing cap:



Push the safety button of the port locking lever downwards.



Turn the port locking lever to the release position as shown.

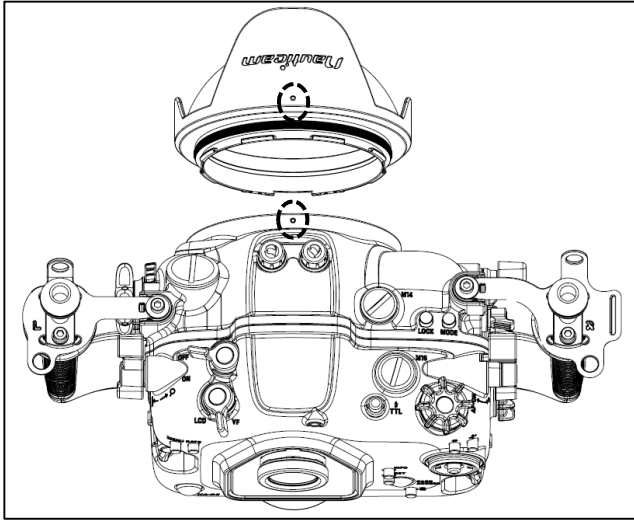


Lift the housing cap.

To mount port:

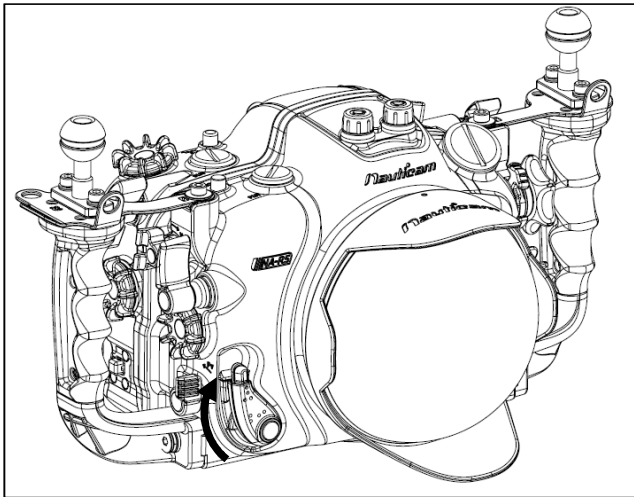
Remove the O-ring from the port, inspect for any damage and lightly coat it with the provided lubricant before placing it back into its groove.

Verify that the port opening of the housing is clean and free from foreign material.



Align the mounting indices of the port and the housing; these appear as white circles on both the port and the housing.

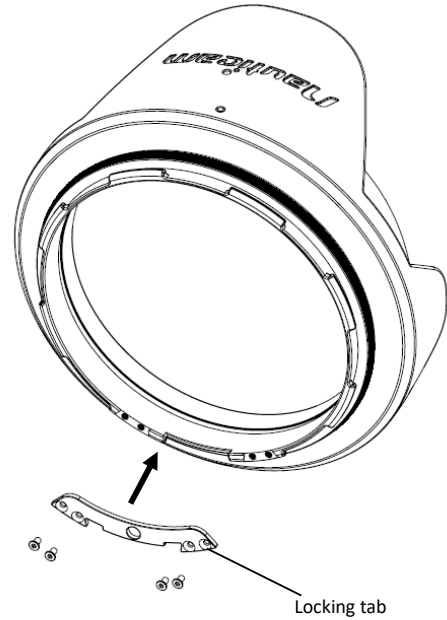
Gently push the port into the opening of the housing, until it cannot go in any further.



Lock the port into place by turning the port locking lever to the inward position. To ensure that the port is securely mounted, confirm that the green line on the safety button of the port locking lever is visible.

To remove the port from the housing, simply turn the port locking lever to the outward position and gently pull it out.

REMARKS TO PORT SYSTEM COMPATIBILITY



This port is backwards compatible with N120 port mount housing and all N120 extension rings (Excludes 21110, use 22110 instead).

To be compatible with locking pin style extension rings (produced before 2016), it requires a locking tab which is free of charge.

**Please contact our dealer or innovation@nauticam.com for the part. The dome port is shipped without the locking tap to reduce unnecessary waste.*

CARE AND MAINTENANCE

- The port should be rinsed thoroughly in fresh water (when mounted on a housing) after each dive.
- Dry and clean the dome surface with micro fibre cloth.
- Cover the dome with the provided cover when not in use.
- Do not use any kind of abrasive solutions to clean the dome surface.

SPECIFICATIONS

#18809 180mm optical glass wide angle port

Port Opening Diameter	98mm
Port Diameter:	180mm
Port Mount:	N120
Coating (inner):	Multi-layer broadband anti-reflective coating
Radius of Curvature:	110mm
Weight (in air):	Approx. 1.2kg
Buoyance in water:	0.38 kg
Depth Rating:	60m

#18810 N120 140mm optical glass fisheye port

Port Opening Diameter	98mm
Port Diameter:	140mm
Port Mount:	N120
Coating (inner):	Multi-layer broadband anti-reflective coating
Radius of Curvature:	69mm
Weight (in air):	Approx. 0.63kg
Buoyance in water:	0.3 kg
Depth Rating:	100m

#18812 N120 230mm Optical Glass Wide Angle Port II

Dimensions:	Dia260mm x 112mm
Internal Diameter:	Dia109mm
Port Mount:	N120
Coating (inner):	Multi-layer broadband anti-reflective coating
Radius of Curvature:	120mm
Weight (in air):	Approx. 2.54kg
Buoyance in water:	0.55 kg
Depth Rating:	100m

#18813 18815 N120 250mm Optical Glass Wide Angle Port II

Dimensions:	Dia271mm x 131mm
Internal Diameter:	Dia109mm
Port Mount:	N120
Coating (inner):	Multi-layer broadband anti-reflective coating
Radius of Curvature:	160mm
Weight (in air):	Approx. 2.91kg
Buoyance in water:	0.82 kg
Depth Rating:	40m (18815) 100m (18813)

Remark: Nauticam supports only e-manuals. Please download corresponding product manuals on Nauticam.com website, or contact us for e-manuals.